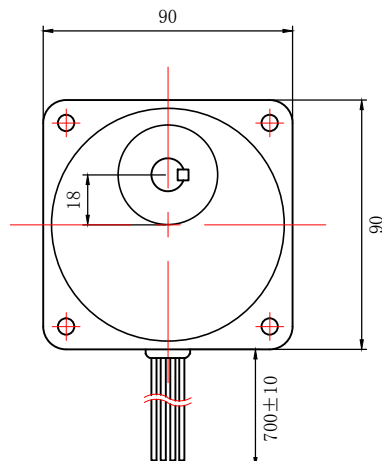
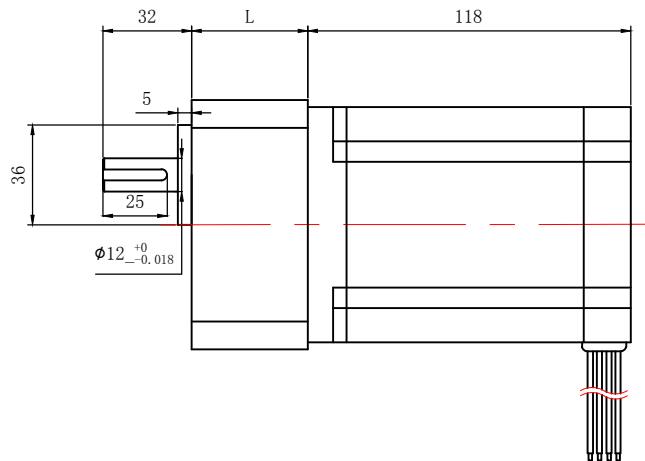
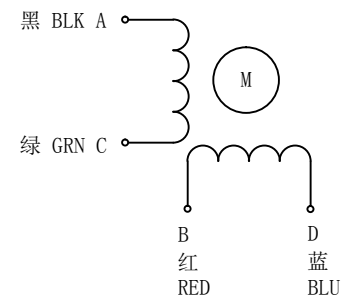


85H2P11860A4-G

电机尺寸
DIMENSIONS:
(UNIT=MM)



电机接线图
WIRING DIAGRAM:



说明

NOTES:

- PLEASE DON'T HOLD MOTOR BY LEAD WIRES.
- PLEASE DON'T PLUG IN/OUT THE MOTOR CONNECTOR WHILE POWER ON.
- PLEASE DON'T DROP, HURL OR DUMP MOTOR AGAINST HARD MATERIAL
MALFUNCTION MAY NOT BE OBSERVED AT EARLY STAGE AFTER SUCH SHOCKS, BUT FOUND LATER. THE MISHANDLING VOIDS OUR WARRANTY.
- DONGGUAN ICAN-TECH WILL NOT BE RESPONSIBLE FOR ANY PATENT DISPUTE OR PROBLEM CAUSED BY ACTUAL APPLICATIONS

| | | | |
|-------------|-----|------|------|
| 速比 RATIO | 1:5 | 1:10 | 1:20 |
| L (MM) | 42 | 60 | 60 |

| 电机参数/ELECTRICAL PARAMETER | | 轴径配置/SHAFT DESIGN |
|-----------------------------------|----------------|-------------------|
| 电机型号 MANUFACTURER MODEL | 85H2P11860A4-G | |
| 适配步进电机驱动器 MATCHED MOTOR DRIVE | MR7/MR7A | |
| 步距角 STEP ANGLE (° /STEP) | 1.8 | |
| 电机电压 RATED VOLTAGE (V) | 1.86 | |
| 电机电流 RATED CURRENT (A/PHASE) | 6.0 | |
| 电机电阻 RESISTANCE (Ω±15%/PHASE) | 0.31 | |
| 电机电感 INDUCTANCE (mH+20%/PHASE) | 2.0 | |
| 电机力矩 HOLDING TORQUE (N.M) | 6.0 | |
| 减速机速比 VELOCITY RATIO | 1:5/1:10/1:20 | |

| 制图 DESIGNED | 检图 CHECKED | 校准 APPROVED | 日期 DATE | 比例 SCALE |
|-----------------------------------|---------------|--|------------|-----------------------|
| HUANG TING | MAHUALING | | 2016/03/01 | 1:2.6 |
| 85H2P11860A4-G | | 东莞市一能机电技术有限公司 DONGGUAN ICAN TECHNOLOGY CO., LTD | | |
| 步进齿轮减速电机 GEARED STEPPING MOTOR | | | | 版本 EDITION V2.0 |